

SMP 4G LTE

**Indoor-Outdoor Compact Directional Multi-Band
 (790-960 MHz & 1.71-2.7 GHz for 4G - LTE , WLAN 2.4)**



MAIN FEATURES

- Very compact directional panel antenna
- Suitable for indoor and outdoor use
- Working on 4G LTE
- Easy and quick installation on the mast or on the wall
- Fully designed & Manufactured in Italy

SPECIFICATIONS

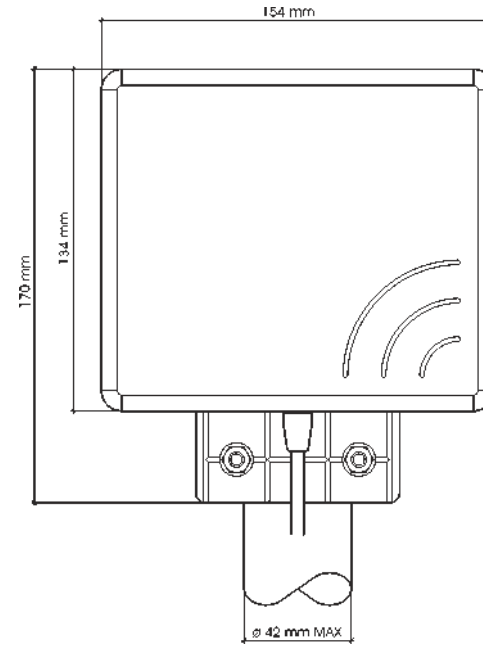
Electrical Data

Type	Directional mini panel wideband	
Frequency Range	790-960 MHz & 1710-2700 MHz @ SWR ≤ 2	
Impedance	50 Ω	
Half Power Beam Width	see Typical Radiation Patterns	
Polarization	Linear Vertical	
Gain	LTE 800 & GSM	6+7 dBi @ 790-960 MHz;
	DCS	9 dBi @ 1710-1880 MHz;
	UMTS	9 dBi @ 1920-2170 MHz
	LTE & WLAN	8+9 dBi @ 2300-2700 MHz
Front to back ratio	LTE 800 & GSM	≥ 12 dB @ 790-960 MHz;
	DCS	≥ 16 dB @ 1710-1880 MHz;
	UMTS	≥ 20 dB @ 1920-2170 MHz
	LTE & WLAN	≥ 10 dB @ 2300-2700 MHz
Max Power @ 30°C	LTE 800 & GSM	30 Watts (CW) @ 790-960 MHz;
	DCS	15 Watts (CW) @ 1710-1880 MHz;
	UMTS	10 Watts (CW) @ 1920-2170 MHz
	LTE & WLAN	10 Watts (CW) @ 2300-2700 MHz
Cable Type / Length	50 Ω LOW LOSS / 30 cm (other length on request)	
Connector	SMA-male (other type on request)	

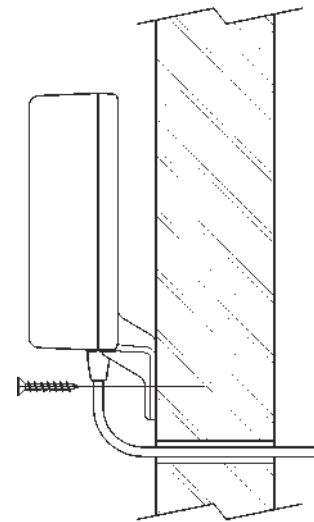
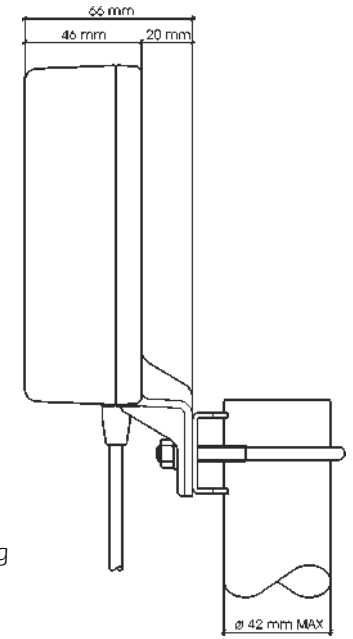
Mechanical Data

Materials	RAL 7035 Light Grey thermoplastic UV stabilized, galvanized steel	
Wind Load @150 km/h	40 N	
Wind Resistance	180 Km/h	
Wind Surface	0.02 m ²	
Operating temperature	-40°C to + 80°C	
Dimensions (approx.)	154 x 134 x 46 mm without bracket	
Weight (approx.)	500 gr	
Installation Type	Mast: Ø25-42 mm with U-bolt (included)	
	Wall: mounting screw (not included)	

MOUNTING INSTRUCTIONS



Mast mounting



Wall mounting
(screws not included)



Optional tilting bracket
Mast: Ø 35-50 mm with clamp included
Wall: with mounting screws (not included)



SIRIO
antenne

HI-QUALITY ANTENNAS MADE IN ITALY